

Soft Served K-Soft Soft Ice Cream Dispenser, 85cones/h (70gr) or 5kg, pump

ITEM # _____

MODEL # _____

NAME # _____

SIS # _____

AIA # _____


560026 (KSOFTP)

Soft ice cream dispenser with 2 l tank capacity and 1 l cylinder volume, hourly production: up to 70 cones (75 gr) or 5 kg, pump version

Short Form Specification

Item No. _____

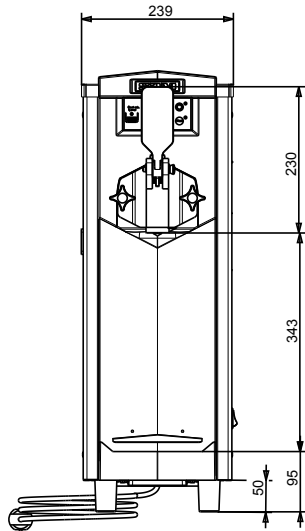
Compact counter top unit for production of soft ice cream and frozen yogurt, ideal for small spaces. Hourly capacity: up to 70 cones (5 kg/h); 2lt capacity+1lt inside the freezing cylinder. Pump feeding system.

APPROVAL: _____

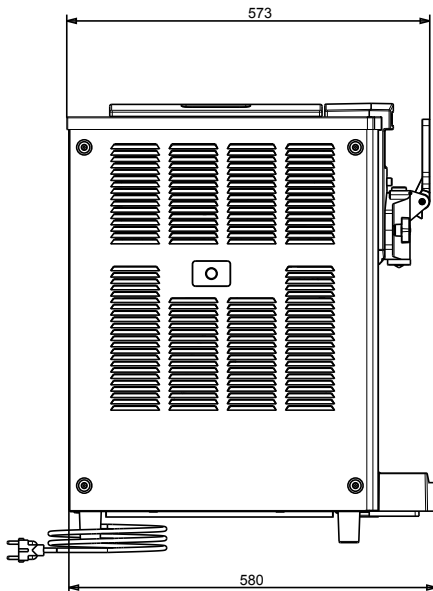
Main Features

- Very quiet operation.
- Pump feeding system.
- Compact counter top unit for production of soft ice cream and frozen yogurt, ideal for small spaces.
- Hourly capacity (up to): 70 cones (5 kg/h).

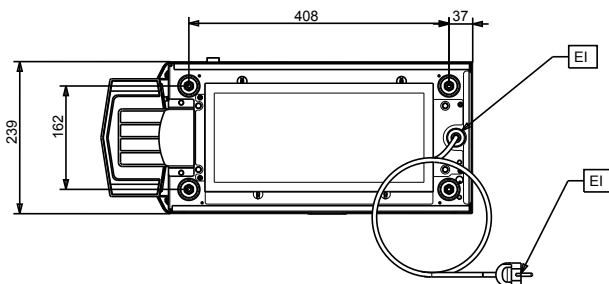
Front



Side



Top



Electric

Supply voltage:

560026 (KSOFTP) 220-240 V/1 ph/50 Hz

Electrical power max.:

1.05 kW

Key Information:

External dimensions, Width: 240 mm

External dimensions, Depth: 580 mm

External dimensions, Height: 700 mm

Net weight: 60 kg

Freezing cylinder capacity: 1 l

Preparation system: pump

Plug type: CE-SCHUKO

Refrigeration Data

Refrigerant type: R452A